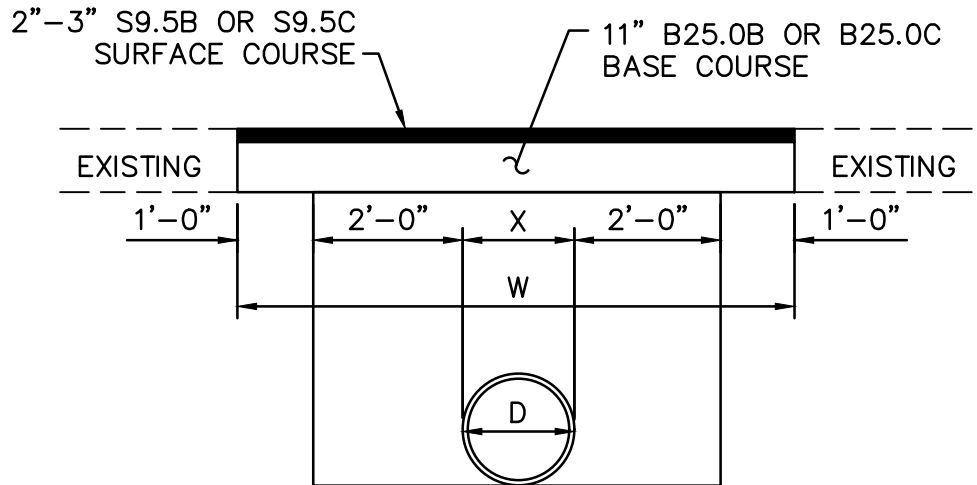


PAVEMENT REPAIRS ON ROADS TO BE RESURFACED  
(PIPE IS PLACED UNDER EXISTING PAVEMENT)

D	X	W
12"	1'-4"	7'-4"
15"	1'-7"	7'-7"
18"	1'-10"	7'-10"
24"	2'-6"	8'-6"
30"	3'-1"	9'-1"
36"	3'-8"	9'-8"
42"	4'-5"	10'-5"
48"	5'-0"	11'-0"



PAVEMENT REPAIRS ON ROADS NOT TO BE RESURFACED  
(PIPE IS PLACED UNDER EXISTING PAVEMENT)

**NOTE:**

1. FOR REFERENCE, SEE NCDOT STANDARD 654.01

DETAIL: <p style="text-align: center;"><b>NCDOT-PAVEMENT REPAIRS</b></p>		 <p><b>CAPE FEAR PUBLIC UTILITY AUTHORITY</b>                  235 GOVERNMENT CENTER DRIVE                  WILMINGTON, NC 28403                  OFFICE: (910)332-6560</p> <p>Stewardship. Sustainability. Service.</p>	DETAIL NO: <p style="font-size: 1.5em; font-weight: bold;">WS-3</p>
SCALE: NOT TO SCALE	CFPUA DETAIL DATE: <p style="text-align: center;">01/01/19</p>		SHEET NO: <p style="text-align: center;">-</p>
CFPUA REV. No: 1			