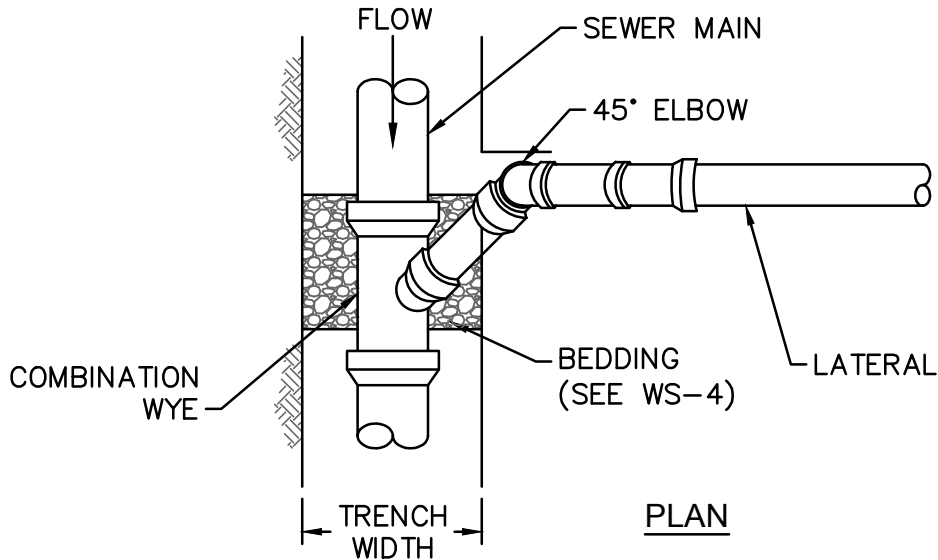
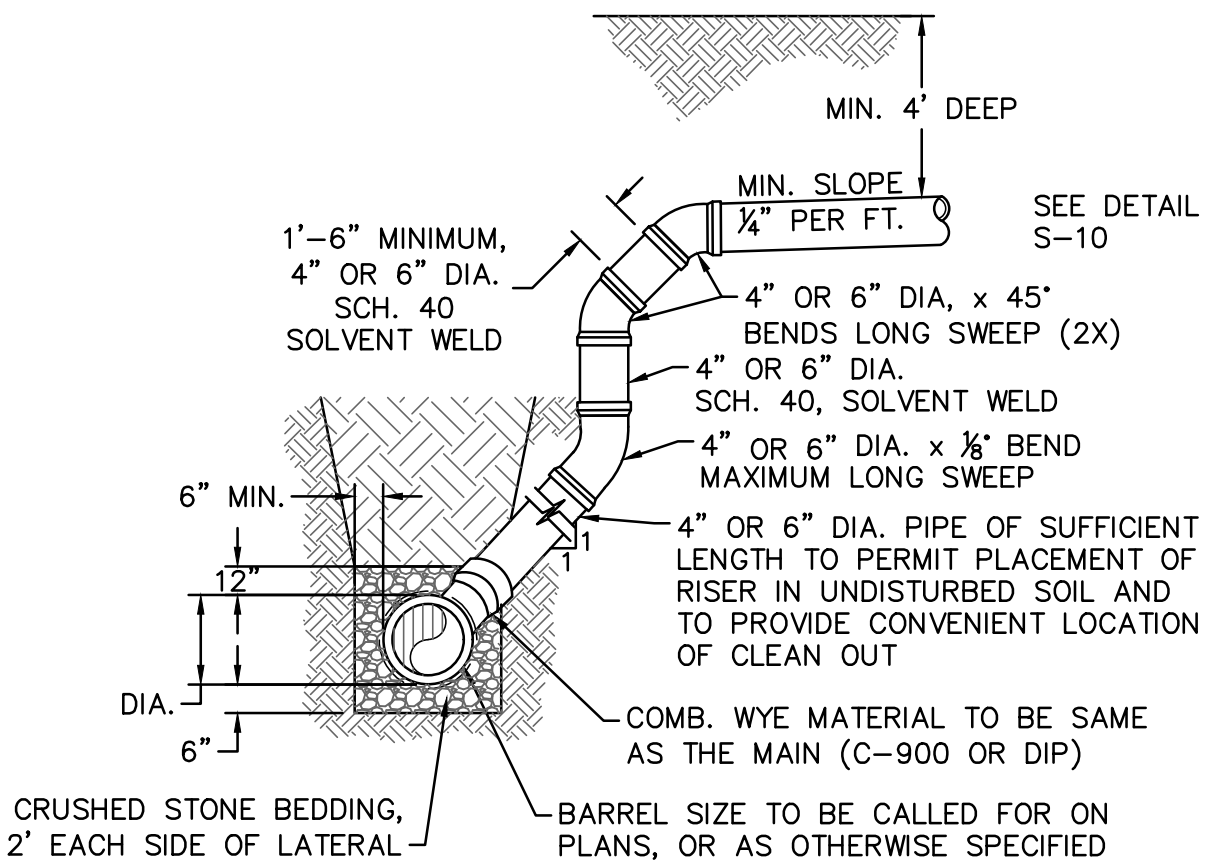


User: JUSTIN.HANES File: \\CFPUA-SHARES\DEPARTMENT\ENGINEERS\2003_PROJECT\MANAGEMENT DIVISION\2017_PROJECTS\314817_045-STANDARDS_UPDATE\40_CFPUA.DWG DETAILS\9_FINAL DETAIL DRAWINGS\CADIS-12 SEWER SERVICE CONNECTION - MAIN TO LATERAL (GREATER THAN 8' DEEP).DWG Scale: 1:1 Plot Date: 10/22/2018 Time: 16:10 Justin Hanes Layout: MODEL



PLAN



SECTION

NOTES:

1. SPECIAL CARE SHALL BE TAKEN DURING BACKFILL OPERATIONS. THE RISER SHALL BE PLUMB AND TRUE AT ALL TIMES, AND REST ON FIRM, STABLE FOUNDATION.
2. FOR PRIVATE 8" SERVICES, MANHOLES ARE REQUIRED FOR CONNECTION TO SYSTEM AND AT THE PROPERTY LINE, WITH REQUIRED EASEMENT.
3. ALL SERVICES CONNECTING INTO DUCTILE IRON MAINS SHALL BE CONSTRUCTED OF DIP, WITH PROTECTIVE LINING.
4. 1'-6" MINIMUM NIPPLE SPACING BETWEEN FITTINGS.

DETAIL: SEWER SERVICE CONNECTION - MAIN TO LATERAL (GREATER THAN 8' DEEP)		 CAPE FEAR PUBLIC UTILITY AUTHORITY 235 GOVERNMENT CENTER DRIVE WILMINGTON, NC 28403 OFFICE: (910)332-6560	DETAIL NO: S-12
SCALE: NOT TO SCALE	CFPUA DETAIL DATE: 01/01/19		SHEET NO: -
CFPUA REV. No: 1			Stewardship. Sustainability. Service.