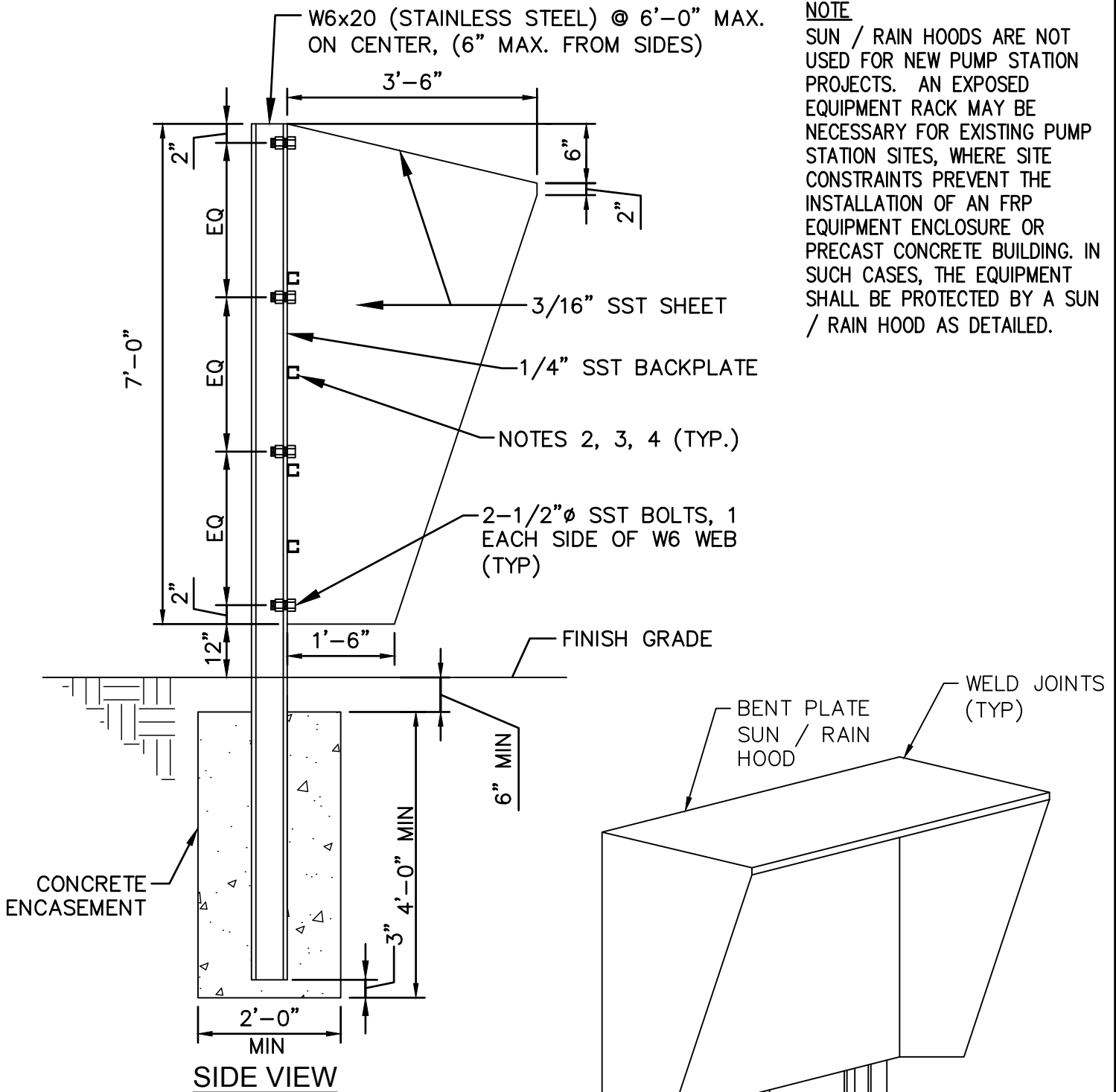


NOTE

SUN / RAIN HOODS ARE NOT USED FOR NEW PUMP STATION PROJECTS. AN EXPOSED EQUIPMENT RACK MAY BE NECESSARY FOR EXISTING PUMP STATION SITES, WHERE SITE CONSTRAINTS PREVENT THE INSTALLATION OF AN FRP EQUIPMENT ENCLOSURE OR PRECAST CONCRETE BUILDING. IN SUCH CASES, THE EQUIPMENT SHALL BE PROTECTED BY A SUN / RAIN HOOD AS DETAILED.



NOTES:

1. STAINLESS STEEL SHALL BE ALLOY 316.
2. CHANNEL / STRUT: 1 5/8" x 1 5/8", STAINLESS STEEL.
3. ADJUST NUMBER AND LENGTHS OF STRUTS AS REQUIRED FOR EQUIPMENT SUPPORT.
4. CONNECT TO W6 MEMBERS AND TO BACKPLATE AT 2'-0" MAX ON CENTER (TYP).

DETAIL:	
SUN / RAIN HOOD	
SCALE: NOT TO SCALE	CFPUA DETAIL DATE:
CFPUA REV. No: 1	01/01/19

CAPE FEAR PUBLIC UTILITY AUTHORITY

235 GOVERNMENT CENTER DRIVE

WILMINGTON, NC 28403

OFFICE: (910)332-6560

Stewardship. Sustainability. Service.

DETAIL NO:
PS-E22
SHEET NO:
-