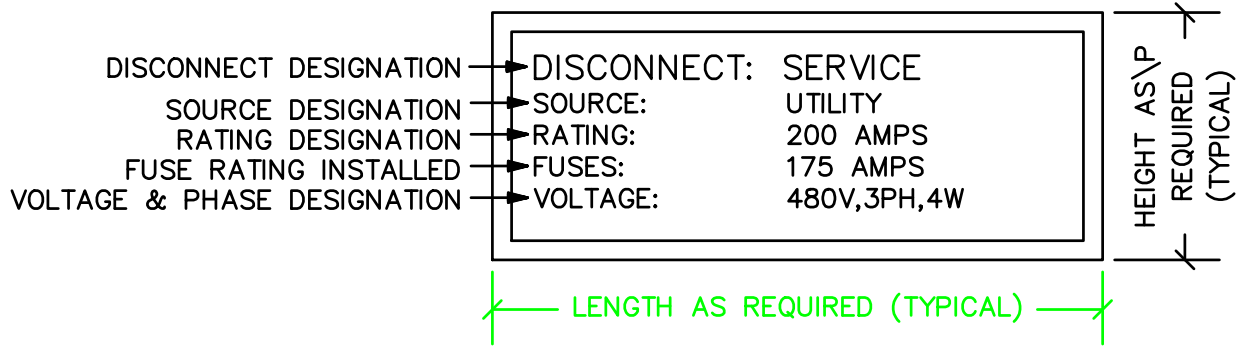
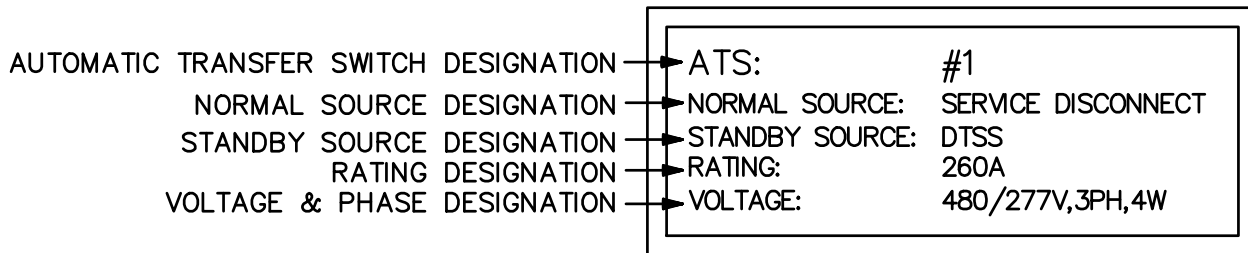


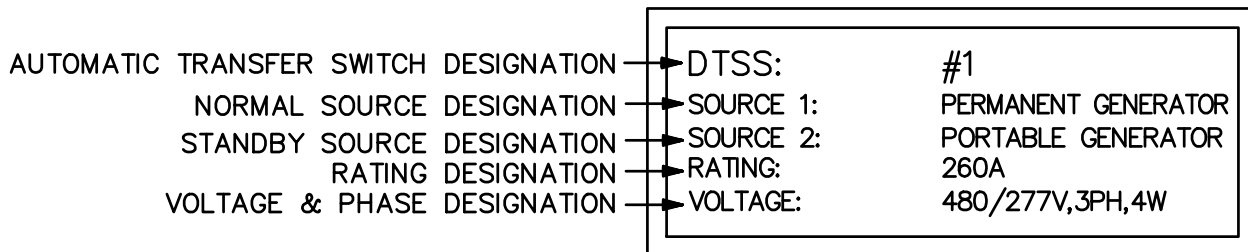
## SERVICE DISCONNECT



## AUTOMATIC TRANSFER SWITCH



## DOUBLE THROW SAFETY SWITCH



### NOTES:

1. ENGRAVED PLASTIC FOR NAMEPLATE; BLACK LETTERS ON WHITE BACKGROUND.
2. 3/8" ENGRAVED LETTERS EQUIPMENT NAME DESIGNATION AND 1/4" ENGRAVED LETTERS ON ALL OTHER DESIGNATIONS.
3. CUSTOMIZE LABELS FOR SPECIFIC EQUIPMENT DESIGNATIONS AND RATINGS FOR THE PROJECT.
4. HIGH PERFORMANCE, DOUBLE COATED TAPE WITH ADHESIVE TO ATTACH LABELS.  
DESIGN BASIS: 3M #06383 OR APPROVED EQUIVALENT.

DETAIL:

### ENGRAVED NAMEPLATE LABELS

SCALE: NOT TO SCALE

CFPUA DETAIL DATE:

CFPUA REV. No: 1

01/01/19



CAPE FEAR PUBLIC UTILITY AUTHORITY  
235 GOVERNMENT CENTER DRIVE  
WILMINGTON, NC 28403  
OFFICE: (910)332-6560

Stewardship. Sustainability. Service.

DETAIL NO:

**PS-E18**

SHEET NO:

-