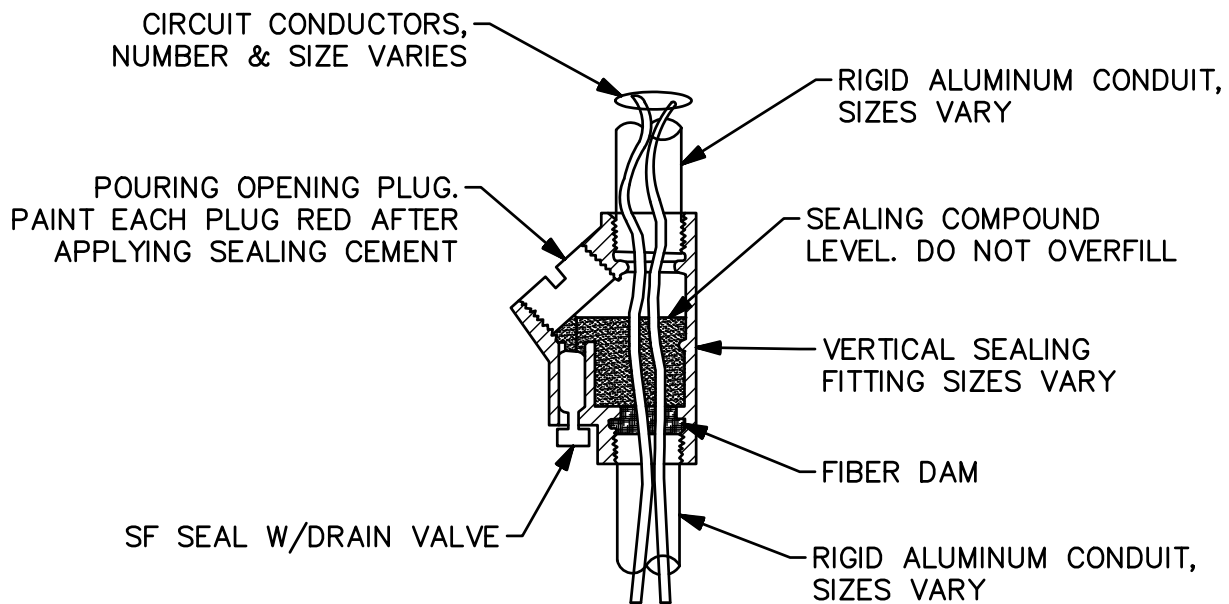
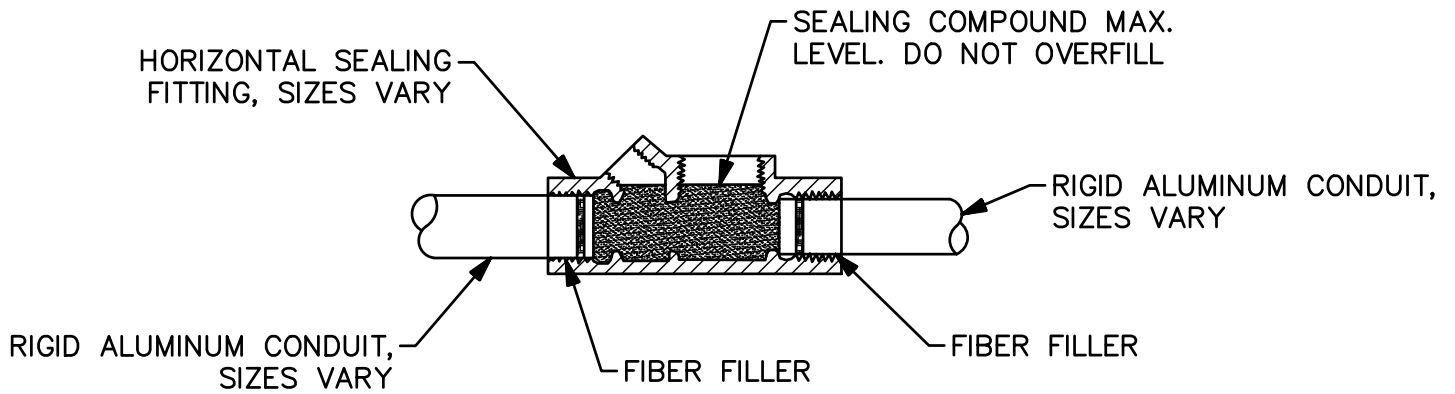


User:JUSTIN.HANES File:G:\CFPUA-SHARES\DEPARTMENTS\ENGINEERS\2003_PROJECT MANAGEMENT DIVISION\2017_PROJECTS\314817_046-STANDARDS UPDATE\40_CFPUA DWG DETAILS\9_FINAL_DRAWINGS\CAD\ELECTRICAL\1764_ELEC-DETAILS.DWG Scale:1:1 Plot Date:11/7/2018 Time:08:22 Justin Hanes Layout:PS-E17 HAZ SEAL

NOTE:

HAZARDOUS LOCATION SEALING FITTINGS AS DEPICTED HERE ARE TO BE PROVIDED AS REQUIRED BY THE NEC FOR CONDUIT ENTRIES TO EQUIPMENT WHERE THE CONDUIT ORIGINATES IN A HAZARDOUS LOCATION.



DETAIL:	
HAZARDOUS LOCATION CONDUIT SEAL FITTINGS	
SCALE: NOT TO SCALE	CFPUA DETAIL DATE:
CFPUA REV. No: 1	01/01/19

CAPE FEAR PUBLIC UTILITY AUTHORITY
 235 GOVERNMENT CENTER DRIVE
 WILMINGTON, NC 28403
 OFFICE: (910)332-6560

Stewardship. Sustainability. Service.

DETAIL NO: PS-E17
SHEET NO: -