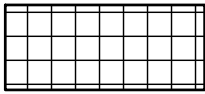
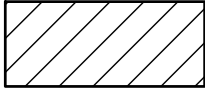


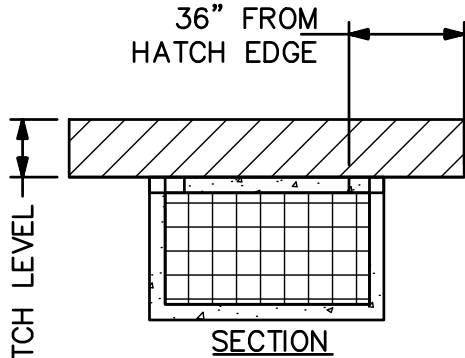
KEY



CLASS 1, DIVISION 1,
GROUP D HAZARDOUS
LOCATION

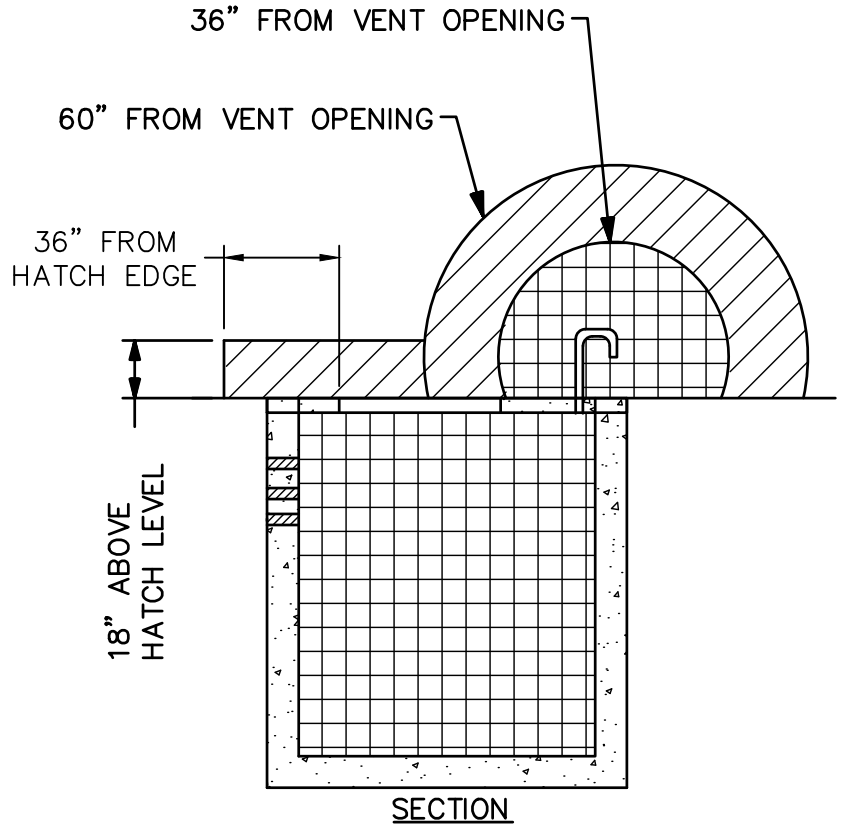


CLASS 1, DIVISION 2,
GROUP D HAZARDOUS
LOCATION



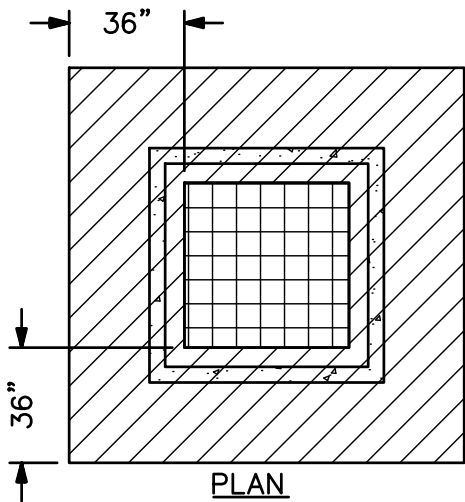
18" ABOVE HATCH LEVEL

SECTION



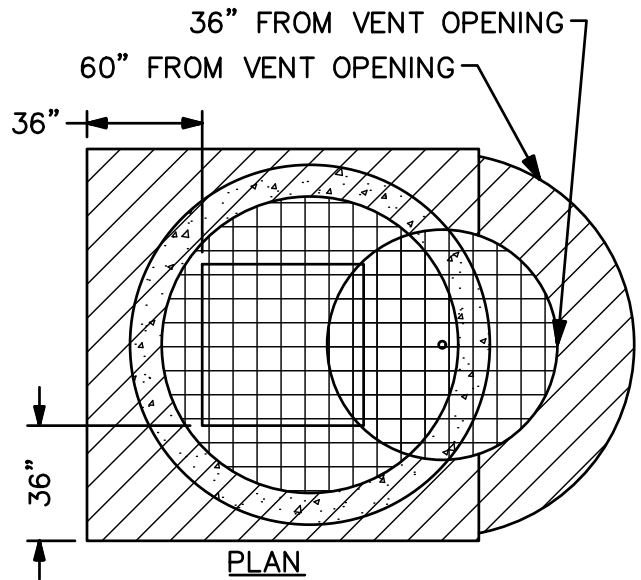
18" ABOVE HATCH LEVEL

SECTION



PLAN

VALVE VAULT OR
METER VAULT



PLAN

WET WELL

DETAIL:

**PUMP STATION HAZARDOUS
LOCATION DIAGRAM**

SCALE: NOT TO SCALE

CFPUA DETAIL DATE:

CFPUA REV. No: 1

01/01/19



CAPE FEAR PUBLIC UTILITY AUTHORITY
235 GOVERNMENT CENTER DRIVE
WILMINGTON, NC 28403
OFFICE: (910)332-6560

Stewardship. Sustainability. Service.

DETAIL NO:

PS-E15

SHEET NO:

-