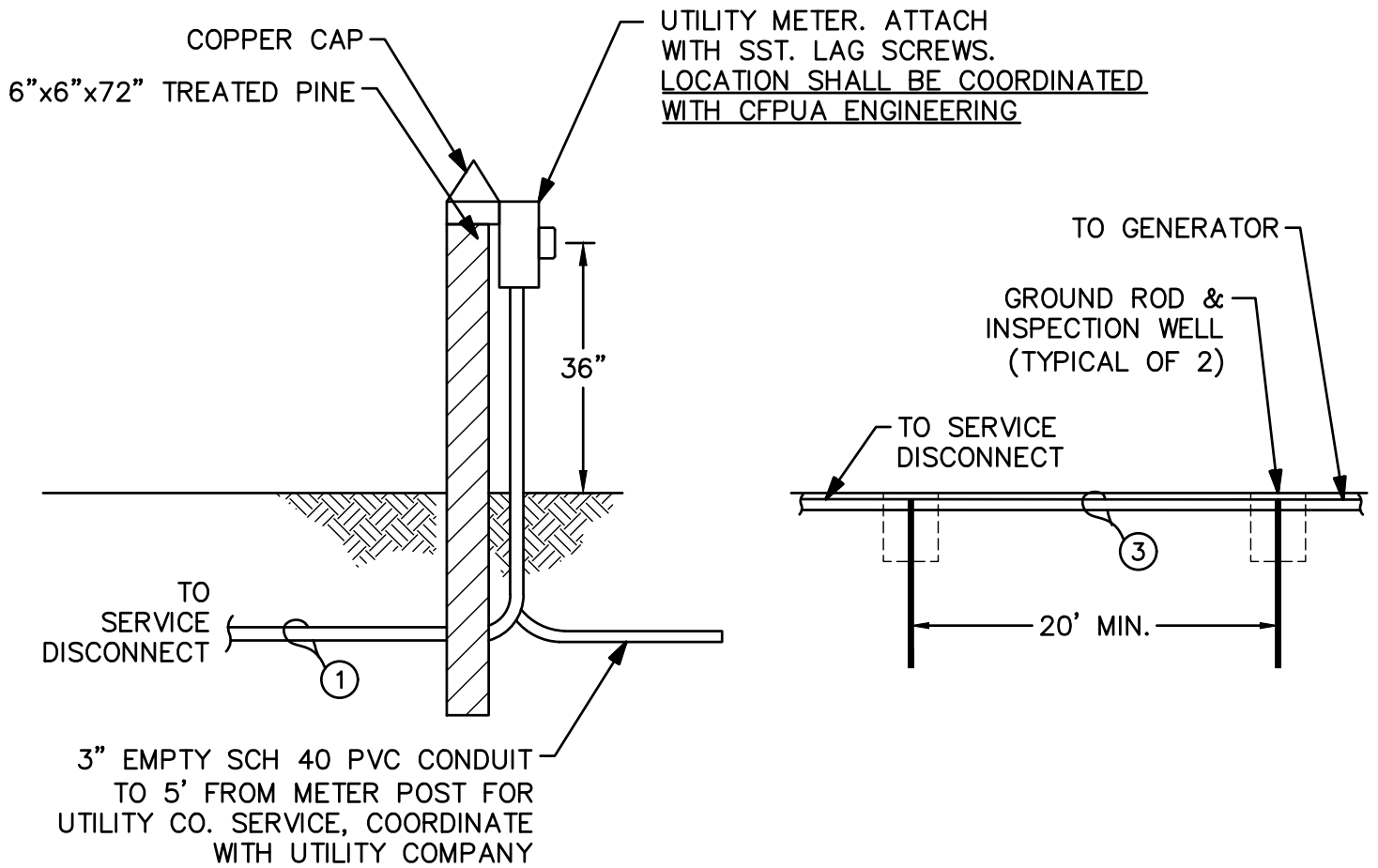


User:JUSTIN.HANES File:\CFPUA-SHARES\DEPARTMENTS\ENGINEERS\2003_PROJECT MANAGEMENT\DIVISION\2017 PROJECTS\14817_045-STANDARDS UPDATE\40_CFPUA DWG DETAILS\9 FINAL DETAIL DRAWINGS\CAD\ELECTRICAL\1704_ELEC DETAILS.DWG Scale:1:1 Plot Date:1/7/2018 Time:08:22 Justin Hanes Layout:PS-E6 METER-GND

NOTE: INSTALL METER ON 6"X6" POST AS INDICATED IF NOT LOCATED ON DUKE POWER'S UTILITY POLE OR PADMOUNT TRANSFORMER.



SEE ELECTRICAL CIRCUIT SCHEDULE (PS-E10)

DETAIL:

METER BASE SECTION & GROUNDING

SCALE: NOT TO SCALE

CFPUA DETAIL DATE:

CFPUA REV. No: 1

01/01/19



CAPE FEAR PUBLIC UTILITY AUTHORITY
235 GOVERNMENT CENTER DRIVE
WILMINGTON, NC 28403
OFFICE: (910)332-6560

Stewardship. Sustainability. Service.

DETAIL NO:

PS-E6

SHEET NO:

-