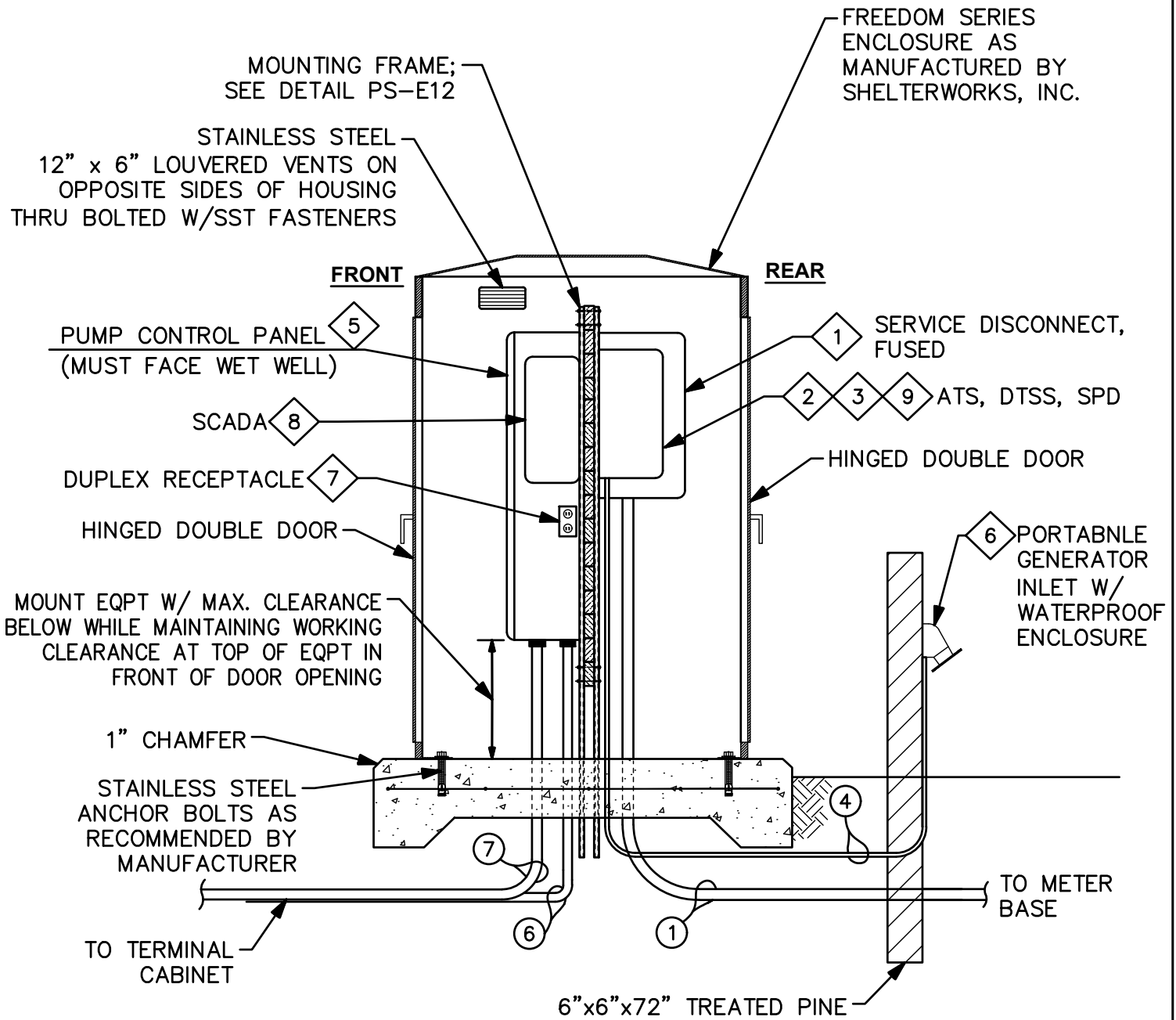


ELECTRICAL EQUIPMENT SHALL BE MOUNTED BY THRU BOLTING WITH MIN.  $\frac{5}{16}$ " $\phi$  STAINLESS STEEL BOLTS, NUTS, & WASHERS, LAG BOLTS ARE ONLY ACCEPTABLE WHERE THROUGH BOLTS ARE NOT POSSIBLE - LAG BOLTS SHALL NOT PENETRATE THROUGH THE WOOD MOUNTING FRAME.



# SEE ELECTRICAL EQUIPMENT SCHEDULE (PS-E9)

# SEE ELECTRICAL CIRCUIT SCHEDULE (PS-E10)

DETAIL:

**PARTIAL EQUIPMENT PAD SECTION  
FRP EQUIPMENT ENCLOSURE**

SCALE: NOT TO SCALE

CFPUA DETAIL DATE:

CFPUA REV. No: 1

01/01/19



**CAPE FEAR PUBLIC UTILITY AUTHORITY**  
235 GOVERNMENT CENTER DRIVE  
WILMINGTON, NC 28403  
OFFICE: (910)332-6560

Stewardship. Sustainability. Service.

DETAIL NO:

**PS-E4**

SHEET NO:

-