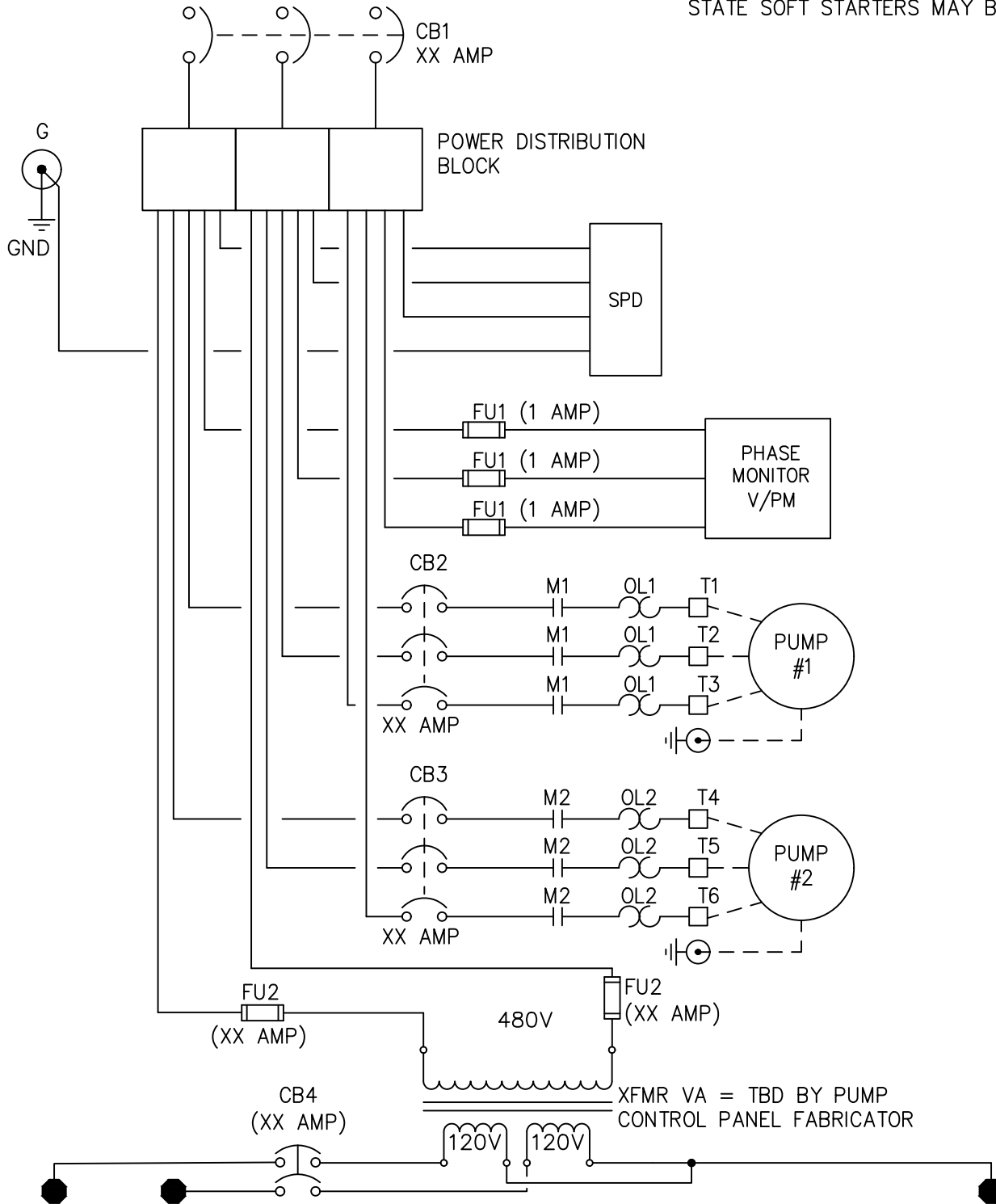


480V, 3PH
60 HERTZ

NOTE:
THIS DETAIL DEPICTS TYPICAL ACROSS THE LINE MOTOR STARTERS. SEE PUMP CONTROL PANEL SPECIFICATIONS WHERE RVAT OR SOLID STATE SOFT STARTERS MAY BE REQUIRED.



SEE CONTINUATION OF SCHEMATIC ON DETAIL PCP-3

DETAIL:
PUMP CONTROL PANEL SCHEMATIC
480V 3 PH SERVICE

SCALE: NOT TO SCALE CFPUA DETAIL DATE:

CFPUA REV. No: 1

01/01/19



CAPE FEAR PUBLIC UTILITY AUTHORITY
235 GOVERNMENT CENTER DRIVE
WILMINGTON, NC 28403
OFFICE: (910)332-6560

Stewardship. Sustainability. Service.

DETAIL NO:

PCP-2A

SHEET NO:

-