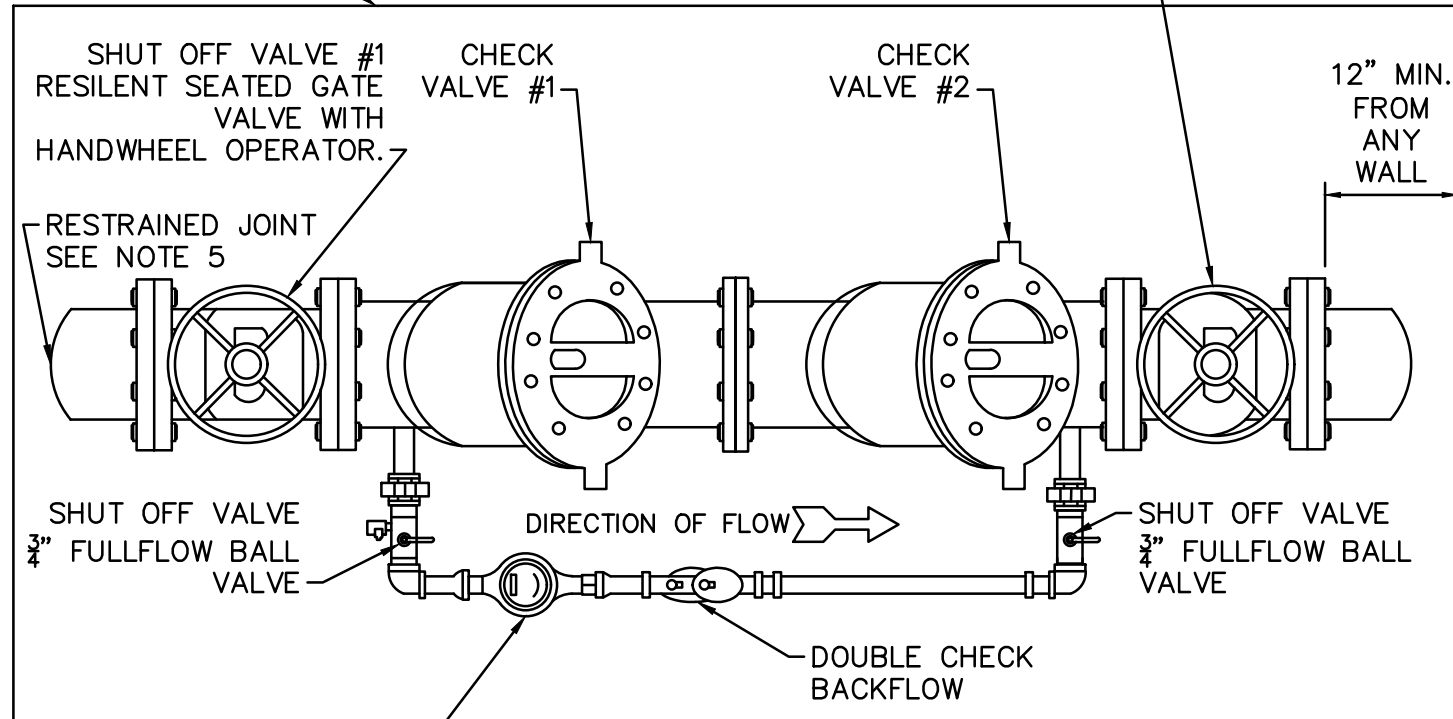


User:JUSTIN_HANES File:\CFPUA-SHARES\DEPARTMENT\ENGINEERS\2003_PROJECT MANAGEMENT DIVISION\2017 PROJECTS\314817_045-STANDARDS UPDATE\40_CFPUA.DWG DETAILS\FINAL DETAIL DRAWINGS\CAD\EM-5 DOUBLE CHECK DETECTOR ASSEMBLY.DWG Scale:1:1 Plot Date:12/6/2018 Time:16:16 Justin Hanes Layout:MODEL

SUPPORT, 4" THICK PAD AT MIN. AND CONCRETE FOOTINGS AS REQUIRED BY SYSTEM DESIGNER

SHUT OFF VALVE #2 RESILIENT SEATED GATE VALVE WITH HANDWHEEL OPERATOR.



NOTE 1, METER IN GALLONS

OUTDOOR INSTALLATION

NOTES:

1. FIRE SERVICE BACKFLOW ASSEMBLIES MUST BE CFPUA APPROVED.
2. ABOVE GROUND DOUBLE CHECK DETECTOR ASSEMBLIES (DCDA) PER CFPUA STANDARDS.
3. 4"-10" DCDA SHALL BE SUPPORTED WITH ADEQUATE SUPPORT PEDESTAL(S).
4. OUTDOOR INSTALLATION SHALL HAVE A PROTECTIVE ENCLOSURE PER CFPUA STANDARDS.
5. MAIN LINE 3" BRASS, K-COPPER OR GALVANIZED PIPE, 4" TO 10" DIP. RESTRAINED JOINTS SHALL BE FLANGED OR APPROVED EQUAL.
6. CFPUA APPROVED 3" - 10" DCDA INCLUDES SHUT OFF VALVES #1 AND #2. AS PART OF THE ASSEMBLY. NO SUBSTITUTIONS SHALL BE PERMITTED.
7. TEST COCK #1 SHALL BE UPSTREAM OF SHUT OFF VALVE #1 AND IS PART OF THE APPROVED ASSEMBLY.
8. MUST COMPLETE CFPUA'S BACKFLOW INSTALLATION FORM. CONTACT COMMUNITY COMPLIANCE AT 910-332-6558 OR EMAIL COMMUNITY.COMPLIANCE@CFPUA.ORG.
9. ONLY IN-LINE TESTABLE ASSEMBLIES APPROVED BY THE USC FOUNDATION FOR CROSS CONNECTION CONTROL OR ASSE SHALL BE ACCEPTED.

DETAIL: FIRE SERVICE DOUBLE CHECK DETECTOR ASSEMBLY	
SCALE: NOT TO SCALE	CFPUA DETAIL DATE: 01/01/19
CFPUA REV. No: 1	

CAPE FEAR PUBLIC UTILITY AUTHORITY
 235 GOVERNMENT CENTER DRIVE
 WILMINGTON, NC 28403
 OFFICE: (910)332-6560

Stewardship. Sustainability. Service.

DETAIL NO: EM-5
SHEET NO: -